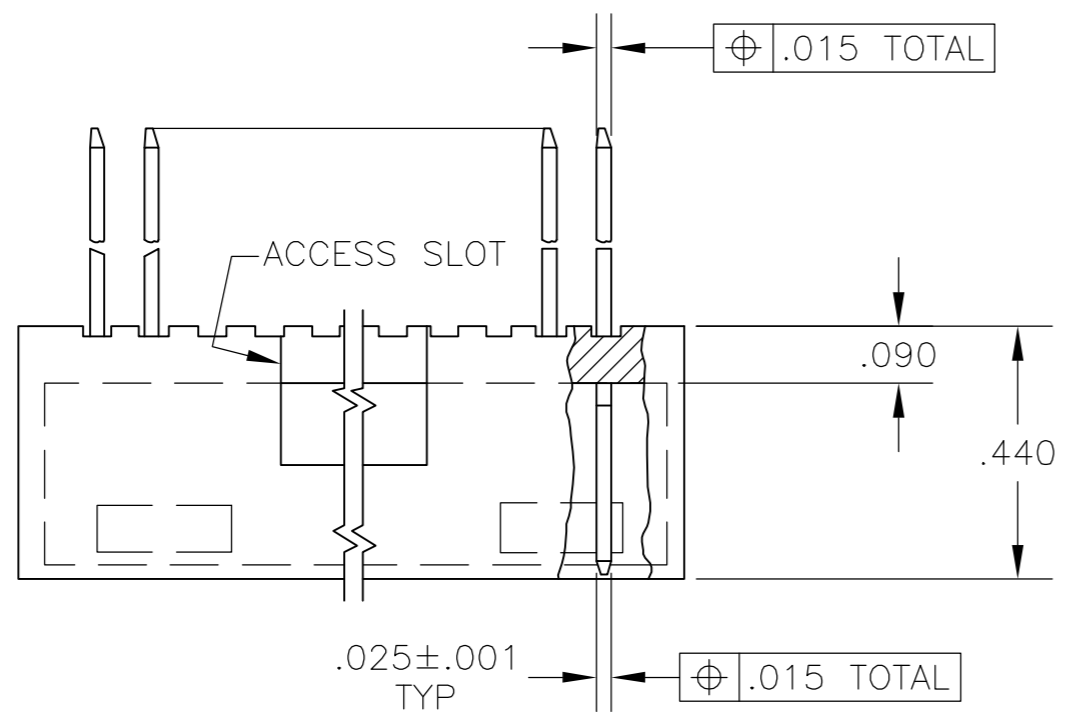
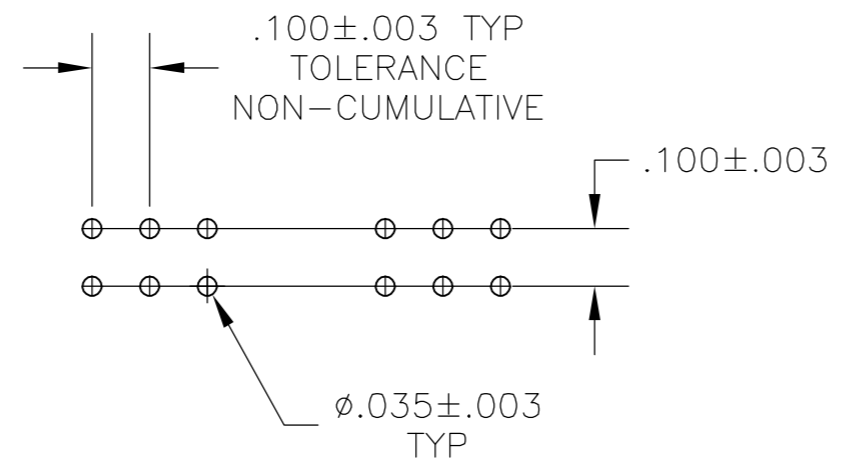
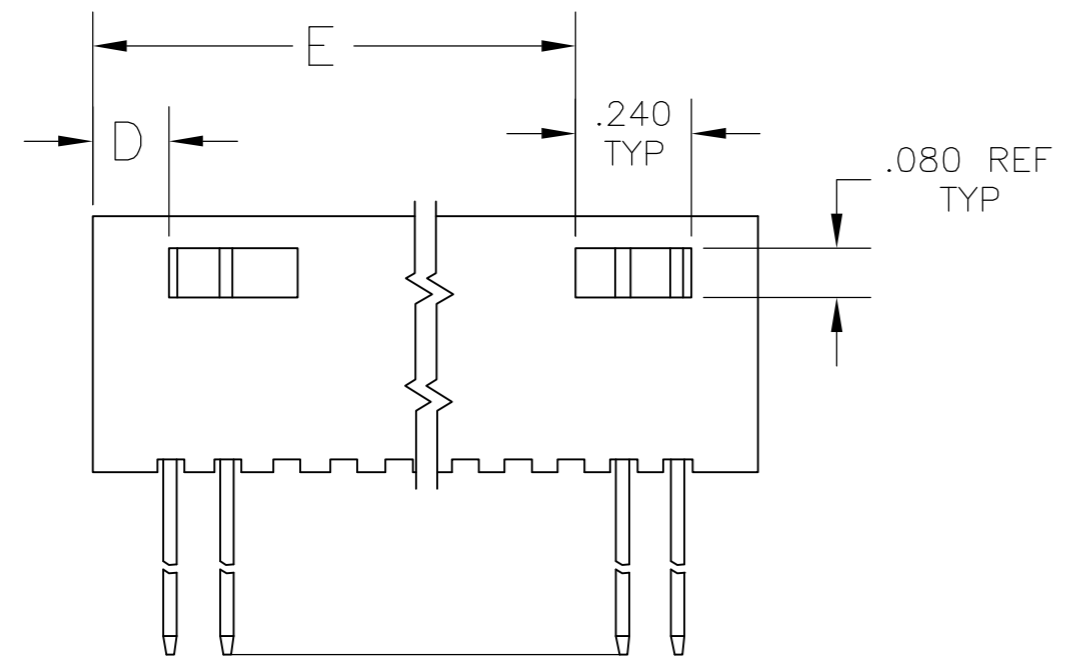
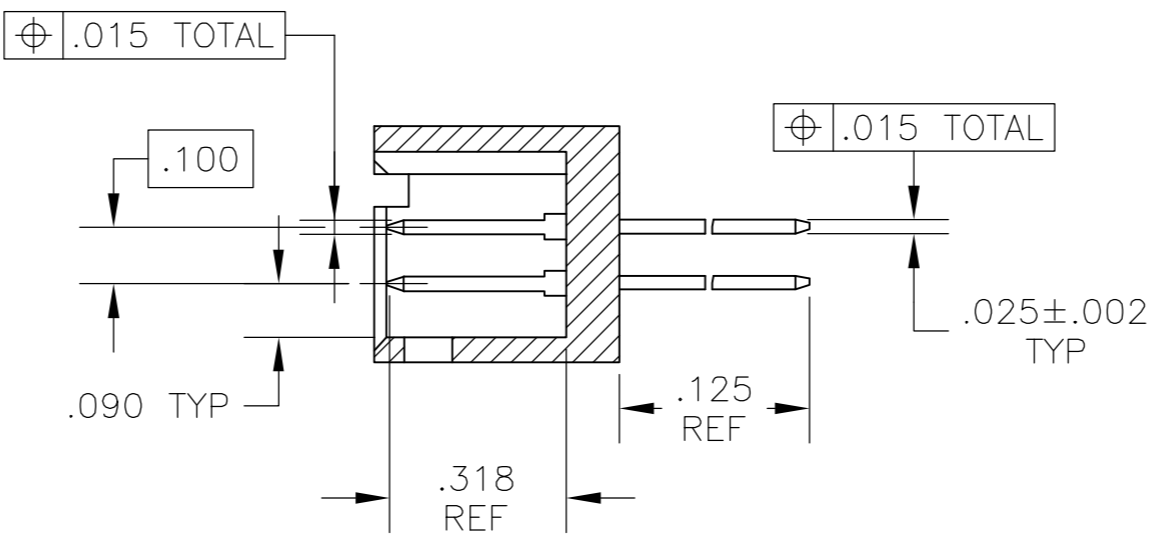
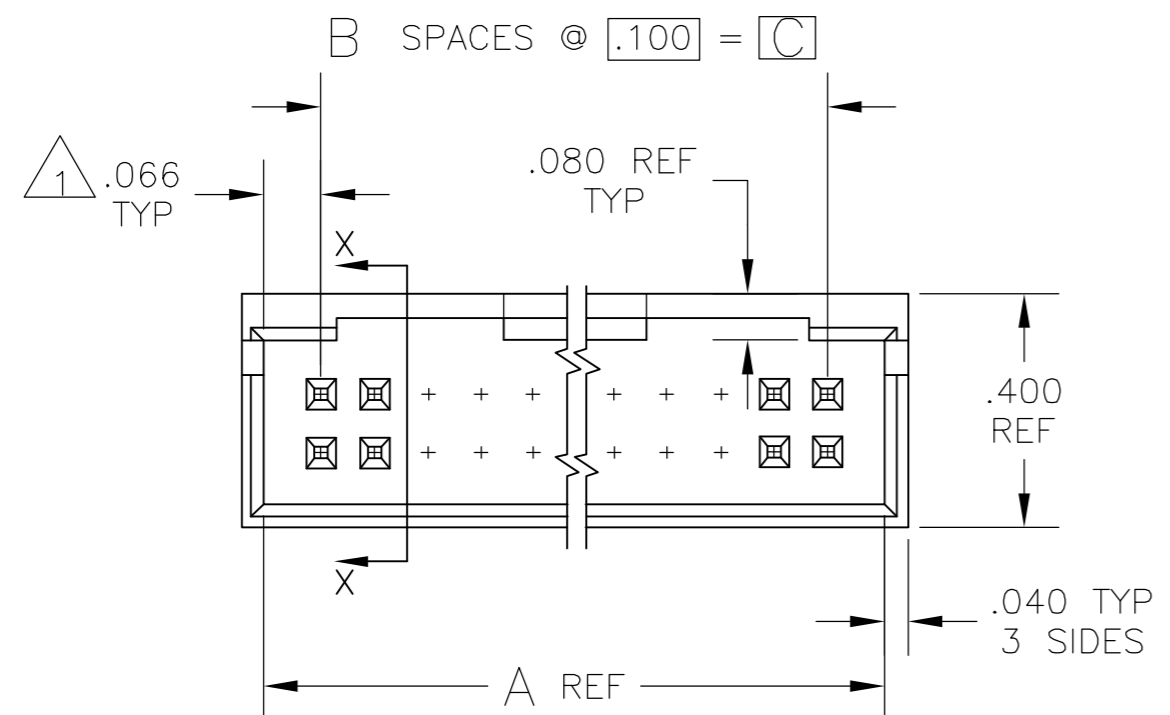


THIS DRAWING IS UNPUBLISHED. RELEASED FOR PUBLICATION
 © COPYRIGHT BY TYCO ELECTRONICS CORPORATION. ALL RIGHTS RESERVED.

LOC		DIST		REVISIONS			
AD	00	P	LTR	DESCRIPTION	DATE	DWN	APVD
		R		ECO-07-00726	15JAN2007	MB	JLG



- 1 WILL ALSO MATE W/OTHER CONNECTORS WHICH ARE COMPATIBLE WITH THE $.006$ END DIM.
- 2 OBSOLETE PART NUMBER.
- 3 $.000100$ -. $.000200$ BRIGHT TIN-LEAD OVER $.000050$ NICKEL
- 4 $.000100$ -. $.000200$ BRIGHT TIN OVER $.000050$ -. $.000100$ NICKEL
- 5 PRELIMINARY PART.
- 6 $.000100$ -. $.000200$ MATTE TIN OVER $.000050$ -. $.000100$ NICKEL



THIS DRAWING IS A CONTROLLED DOCUMENT.		DWN	12 SEP 75	Tyco Electronics Corporation Harrisburg, Pa 17105-3608			
DIMENSIONS: INCHES		CHK	12 SEP 75	NAME			
TOLERANCES UNLESS OTHERWISE SPECIFIED:		APVD	15 SEP 75	PRODUCT SPEC			
0 PLC ± -				APPLICATION SPEC			
1 PLC ± -				WEIGHT			
2 PLC ± -				SIZE			
3 PLC ± .005				CAGE CODE			
4 PLC ± -				DRAWING NO			
ANGLES ± -				RESTRICTED TO			
FINISH		SEE TABLE		A2 00779 C=87589			
MATERIAL		H5G: GLASS FILLED NYLON COLOR: BLACK CONTACT: PHOS BRONZE		CUSTOMER DRAWING			
				SCALE 3:1		SHEET 1 OF 2	
						REV R	

THIS DRAWING IS UNPUBLISHED. RELEASED FOR PUBLICATION
 © COPYRIGHT BY TYCO ELECTRONICS CORPORATION. ALL RIGHTS RESERVED.

LOC	DIST	REVISIONS					
AD	00	P	LTR	DESCRIPTION	DATE	DWN	APVD
		-		SEE SHEET 1	-	-	-

△ 6	-	.106	.200	2	.332	6	8-87589-6
	-	.106	.300	3	.432	8	8-87589-5
	3.506	.106	3.600	36	3.732	74	8-87589-3
	3.406	.106	3.500	35	3.632	72	8-87589-2
	3.306	.106	3.400	34	3.532	70	8-87589-1
	3.206	.106	3.300	33	3.432	68	8-87589-0
	3.106	.106	3.200	32	3.332	66	7-87589-9
	3.006	.106	3.100	31	3.232	64	7-87589-8
	2.906	.106	3.000	30	3.132	62	7-87589-7
	2.806	.106	2.900	29	3.032	60	7-87589-6
	2.706	.106	2.800	28	2.932	58	7-87589-5
	2.606	.106	2.700	27	2.832	56	7-87589-4
	2.506	.106	2.600	26	2.732	54	7-87589-3
	2.406	.106	2.500	25	2.632	52	7-87589-2
	2.306	.106	2.400	24	2.532	50	7-87589-1
	2.206	.106	2.300	23	2.432	48	7-87589-0
	2.106	.106	2.200	22	2.332	46	6-87589-9
	2.006	.106	2.100	21	2.232	44	6-87589-8
	1.906	.106	2.000	20	2.132	42	6-87589-7
	1.806	.106	1.900	19	2.032	40	6-87589-6
1.706	.106	1.800	18	1.932	38	6-87589-5	
1.606	.106	1.700	17	1.832	36	6-87589-4	
1.506	.106	1.600	16	1.732	34	6-87589-3	
1.406	.106	1.500	15	1.632	32	6-87589-2	
1.306	.106	1.400	14	1.532	30	6-87589-1	
1.206	.106	1.300	13	1.432	28	6-87589-0	
1.106	.106	1.200	12	1.332	26	5-87587-9	
1.006	.106	1.100	11	1.232	24	5-87589-8	
.906	.106	1.000	10	1.132	22	5-87589-7	
.806	.106	.900	9	1.032	20	5-87589-6	
-	.406	.800	8	.932	18	5-87589-5	
-	.306	.700	7	.832	16	5-87589-4	
-	.306	.600	6	.732	14	5-87589-3	
-	.206	.500	5	.632	12	5-87589-2	
-	.206	.400	4	.532	10	5-87589-1	
FINISH	E	D	C	B	A	NO OF POSN.	PART NO.

△ 5	△ 4	1.306	.106	1.400	14	1.532	30	3-87589-9
	△ 4	-	.406	.800	8	.932	18	3-87589-8
	△ 4	-	.306	.700	7	.832	16	3-87589-7
	-	.106	.200	2	.332	6	3-87589-6	
	-	.106	.300	3	.432	8	3-87589-5	
	3.506	.106	3.600	36	3.732	74	3-87589-3	
	3.406	.106	3.500	35	3.632	72	3-87589-2	
	3.306	.106	3.400	34	3.532	70	3-87589-1	
	3.206	.106	3.300	33	3.432	68	3-87589-0	
	3.106	.106	3.200	32	3.332	66	2-87589-9	
	3.006	.106	3.100	31	3.232	64	2-87589-8	
	2.906	.106	3.000	30	3.132	62	2-87589-7	
	2.806	.106	2.900	29	3.032	60	2-87589-6	
	2.706	.106	2.800	28	2.932	58	2-87589-5	
	2.606	.106	2.700	27	2.832	56	2-87589-4	
	2.506	.106	2.600	26	2.732	54	2-87589-3	
	2.406	.106	2.500	25	2.632	52	2-87589-2	
	2.306	.106	2.400	24	2.532	50	2-87589-1	
	2.206	.106	2.300	23	2.432	48	2-87589-0	
	2.106	.106	2.200	22	2.332	46	1-87589-9	
2.006	.106	2.100	21	2.232	44	1-87589-8		
1.906	.106	2.000	20	2.132	42	1-87589-7		
1.806	.106	1.900	19	2.032	40	1-87589-6		
1.706	.106	1.800	18	1.932	38	1-87589-5		
1.606	.106	1.700	17	1.832	36	1-87589-4		
1.506	.106	1.600	16	1.732	34	1-87589-3		
1.406	.106	1.500	15	1.632	32	1-87589-2		
1.306	.106	1.400	14	1.532	30	1-87589-1		
1.206	.106	1.300	13	1.432	28	1-87589-0		
1.106	.106	1.200	12	1.332	26	87587-9		
1.006	.106	1.100	11	1.232	24	87589-8		
.906	.106	1.000	10	1.132	22	87589-7		
.806	.106	.900	9	1.032	20	87589-6		
-	.406	.800	8	.932	18	87589-5		
-	.306	.700	7	.832	16	87589-4		
-	.306	.600	6	.732	14	87589-3		
-	.206	.500	5	.632	12	87589-2		
-	.206	.400	4	.532	10	87589-1		
FINISH	E	D	C	B	A	NO OF POSN.	PART NO.	

THIS DRAWING IS A CONTROLLED DOCUMENT.		DWN	12 SEP 75	Tyco Electronics Corporation Harrisburg, Pa 17105-3608
DIMENSIONS: INCHES		CHK	12 SEP 75	
TOLERANCES UNLESS OTHERWISE SPECIFIED:		APVD	15 SEP 75	
0 PLC ± - 1 PLC ± - 2 PLC ± - 3 PLC ± .005 4 PLC ± - ANGLES ± -		PRODUCT SPEC		
MATERIAL: HSG: GLASS FILLED NYLON, COLOR: BLACK, CONTACT: PHOS BRONZE		APPLICATION SPEC		NAME: HEADER ASSEMBLY MOD II, .100 C/L .025 SQUARE POST, WITH DETENT
FINISH: SEE TABLE		WEIGHT	-	SIZE: A2, CAGE CODE: 00779, DRAWING NO: C=87589
		CUSTOMER DRAWING		RESTRICTED TO: -
		SCALE	1:1	SHEET 2 OF 2, REV R